

The 36th National Conference on Combustion and Energy

Author¹, Author^{2,3*}

¹Author #1 Affiliation

²Author #2 Affiliation

³Author #2 Affiliation

*Corresponding Author, *Email: xxx@nycu.edu.tw*

NSTC Project No: NSTC XXX- XXXX-X-XXX-XXX

Abstract (within 500 words)

The 36th National Conference on Combustion and Energy, organized by The Combustion Institute of the Republic of China, will be held on April 25, 2026, at the Guangfu Campus of National Yang Ming Chiao Tung University in Hsinchu City. All submitted manuscripts must conform to the formatting requirements specified in the conference submission template. To assist authors in preparing manuscripts that meet these requirements, a WORD-format template is provided for download. For the Student Paper Competition, the full paper must not exceed **eight pages**, and the abstract must be limited to **500 words**. Authors are required to strictly follow the formatting rules defined in the template and convert the manuscript into **PDF format** prior to submission (**please do not modify page numbers in the PDF file**). The PDF file should then be uploaded to the official conference website at <https://nce2026.conf.tw> to complete the submission process. The submitted file size must not exceed **5 MB**. **【Font Settings】** Only **Times New Roman** and symbol fonts are permitted. The paper title should be set in bold, 14 pt. Author names (bold) and affiliations should be set in 12 pt, while all other content should be set in 11 pt. Each paragraph should begin with an indentation equivalent to 0.8 cm. **【Margin Settings】** The manuscript page size must be A4 (21 cm × 29.7 cm), with margins set as follows: top 3 cm, bottom 3 cm, left 2 cm, and right 2 cm. **These margin settings must not be altered under any circumstances.** **【Figures and Tables】** Figures and tables should be embedded within the text (as shown in the template). Figure and table captions should be set in 11 pt. Caption alignment may be centered or left-justified depending on the width of the figure or table. **【Equations】** All equations must be clearly numbered. References should strictly follow the formatting requirements specified in the conference template; examples are provided below for reference.

Keywords: Please provide at most 5 keywords and separate them with semicolon (;).

1. Introduction

The 36th National Conference on Combustion and Energy, organized by The Combustion Institute of the Republic of China, will be held on April 25, 2026, at the Guangfu Campus of National Yang Ming Chiao Tung University in Hsinchu City. All

submitted manuscripts must conform to the formatting requirements specified in the conference submission template.

1.1. Subtitle of introduction

2. Experimental apparatus and method

2.1. Figure presentation

The experimental apparatus is shown in Fig. 1.

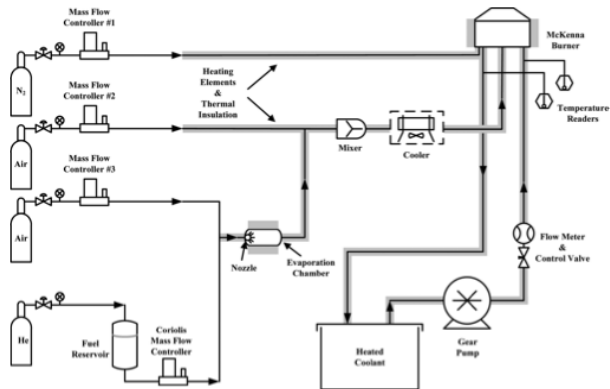


Fig. 1. Schematic of the experimental setup.

2.2. Formula presentation

The equation is defined as:

$$\nabla \cdot \mathbf{E} = \frac{e}{\epsilon_0} (n_+ - n_-) \quad (1)$$

where \mathbf{E} is the electric field, e is the elementary charge.....

3. Reference format

The book reference is in the [1] format, the peer-reviewed journal is written as [2], and the conference paper is shown as [3].

4. Conclusions

Please clearly describe the research results and conclusions.

5. Acknowledgments

This work was supported by the Ministry of Science and Technology, Taiwan, under contract NSTC XXX-XXXX-X-XXX-XXX.

6. References

[1] Yan, H. S., "Creative Design of Mechanical Devices", Springer, Singapore, 1998.

[2] Iijima, S., "Helical Microtubules of Graphitic Carbon", Nature 1991, 354, 56-58.

[3] Vechet, S., Krejsa, J., Chen, K. S., "AGVs Mission Control Support in Smart Factories by Decision Networks", Proceedings of the 19th International Conference on Mechatronics - Mechatronika (ME 2020), Prague, Czech Republic (2020).